

EZ RENTALS & SALES

Appliance Measuring Guide



Measuring Your Appliances Correctly

REFRIGERATORS/UPRIGHT FREEZERS

Applies to: Full-size refrigerators and/or upright freezers

Does not apply to: Compact refrigerators (a.k.a. dorm/bar refrigerators), chest freezers, wine or beer storage

Height: From floor to top of hinge

- **Common error:** Not measuring hinge, not including feet in measurement

Width: From left edge to right edge

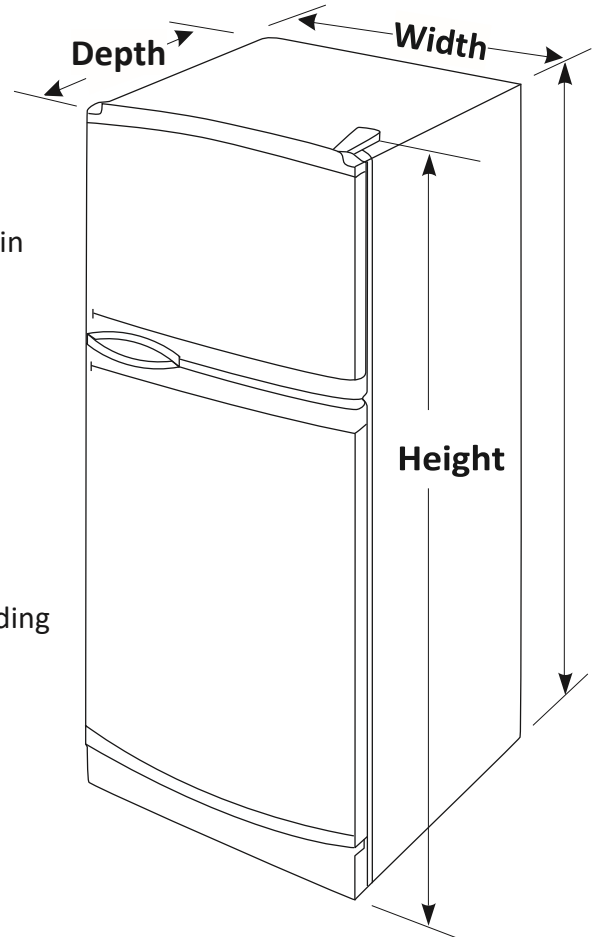
Depth: From front of unit to back (including door)

- **Common error:** Not measuring condenser coils (when present), including handle in measurement

Customer Expectations: Unit will fit into counter unit (including overhead cabinets). Unit front, excluding handle, will align with cabinet front

Additional Online Measurements:

- Height to top of refrigerator
- Depth less door
- Depth with handle
- Depth with door 90 degrees open (wider of the two doors, if more than one)



BRAND	MODEL	H	W	D

Measuring Your Appliances Correctly

RANGES

Applies to: Free-standing ovens and ranges

Does not apply to: Microwaves, wall ovens, cook-tops (without ovens), slide-ins and drop-ins

Height: Bottom of unit to top of cook-surface

- **Common error:** Measuring to top of back-splash/control panel, not measuring feet

Width: From left edge of unit to right edge

Depth: From front on widest part of unit to back, without handle or control knobs

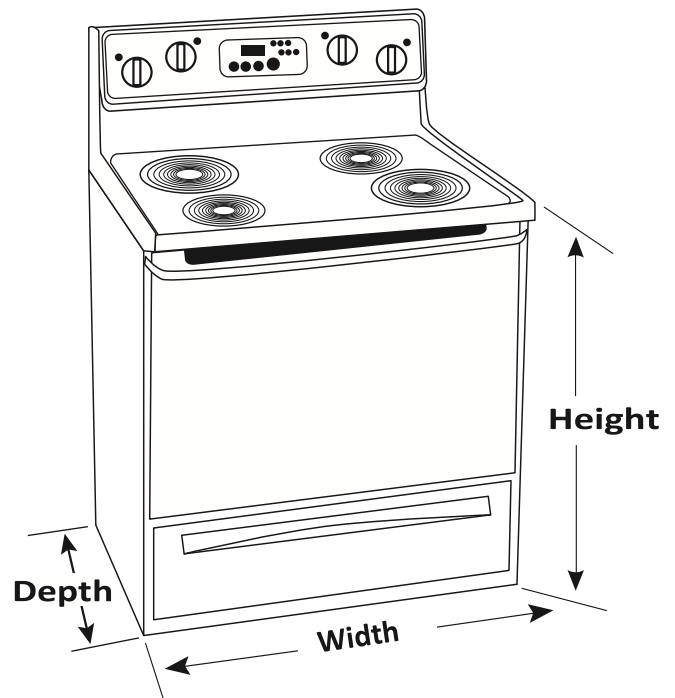
- **Common error:** Including handle in measurement, including knobs in measurement when control panel is on front of unit

Customer expectations for measurements:

- Does unit fit flush to cabinets?
- Is cook surface level with countertops?

Additional Online Measurements:

- Depth with handle (or control panel when applicable)
- Height with backsplash/control panel
- Door opens 90 degrees



BRAND	MODEL	H	W	D

Measuring Your Appliances Correctly

RANGE HOODS

Applies to: Range hoods

Does not apply to: Free-standing ovens and ranges, cooktops, microwaves, wall ovens and over-the-range microwaves

Height: Bottom of unit to top of unit or to where chimney (flue) starts when present

- **Common error:** Measuring to top of flue

Width: From left edge of unit at widest point to right edge

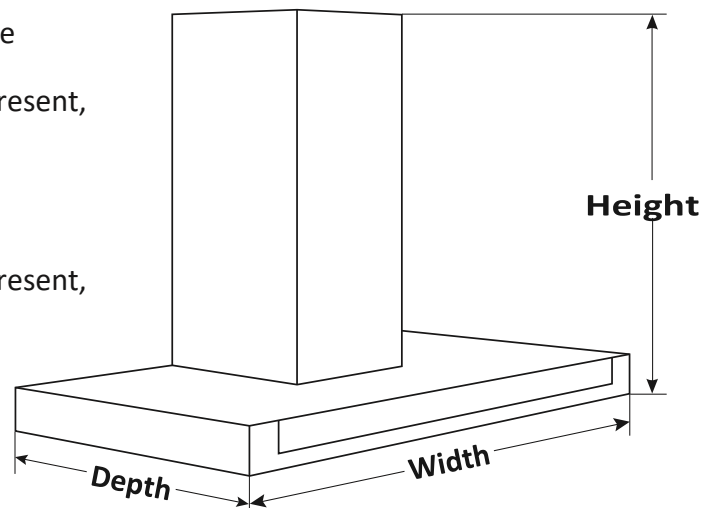
- **Common error:** Measuring at curved edge, when present, instead of at widest part

Depth: From front on widest part of unit to back

- **Common error:** Measuring at curved edge, when present, instead of at widest part

Customer expectations for measurements:

- Fits into cabinet space



BRAND	MODEL	H	W	D

Measuring Your Appliances Correctly

COOKTOPS

Applies to: Cooktops

Does not apply to: Free-standing ranges, microwaves and wall ovens

Height: Bottom of unit to top of cook-surface

Width: From left edge of unit at widest point to right edge

Depth: From front on widest part of unit to back.

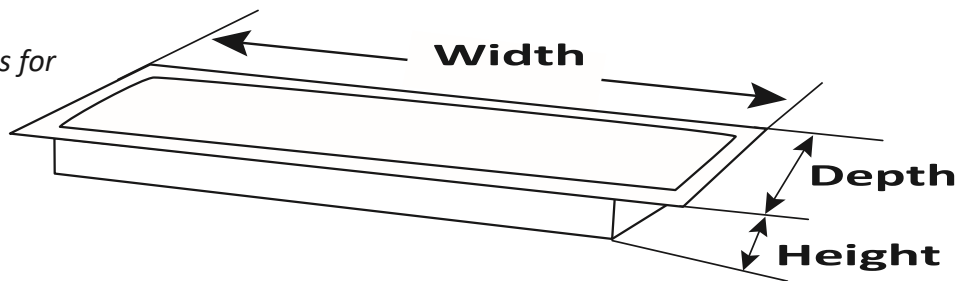
- **Common error:** Not measuring part of unit which fits beneath counter

Customer expectations for measurements:

- “Below counter” part of unit will not interfere with gas lines, etc.
- Fits into counter space

Additional Online Measurements:

- Cut-out width
- Cut-out depth
- Be sure to measure outside dimensions for clearance of obstacles



BRAND	MODEL	H	W	D

Measuring Your Appliances Correctly

DISHWASHERS

Applies to: Portable and built-in dishwashers

Does not apply to: Any other appliance

Height: Bottom of unit, including feet/wheels when present, to top of unit

- **Common error:** Not including feet/wheels in measurement

Width: From left edge of unit to right edge

Depth: From front of unit at deepest part, including door but not including knobs or handles when present, to back including heating components, etc. when present

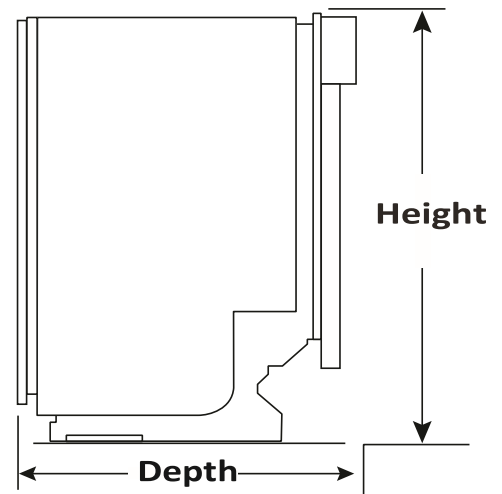
- **Common error:** Not including door, including knobs/handles in measurement

Customer expectations for measurements:

- Built-ins fit into cabinet cut-outs
- Built-ins are flush to cabinet front
- Bottom edge, below door, fits into flooring cut-out

Additional Online Measurements:

- *Depth without door*
(not currently collected)



SIDE VIEW

BRAND	MODEL	H	W	D

Measuring Your Appliances Correctly

CHEST FREEZERS

Applies to: Chest freezers

Does not apply to: Upright freezers or refrigerators, compact refrigerators (dorm/bar refrigerators), wine or beer storage

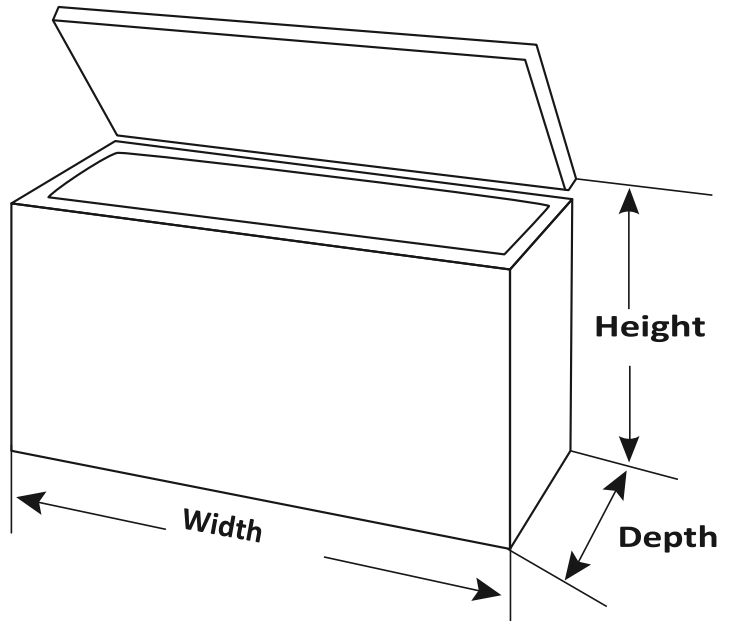
Height: From floor to top of unit (including lid)

- **Common error:** Not including feet in measurement, not including lid in measurement

Width: From left edge to right edge

Depth: From front of unit to back

Customer expectations: Will be able to fully open lid



BRAND	MODEL	H	W	D

Measuring Your Appliances Correctly

OVER-THE-RANGE MICROWAVES

Applies to: Over-the-range microwaves

Does not apply to: Ovens and ranges, cooktops, free-standing microwaves and wall ovens
Height: Bottom of unit to top of unit

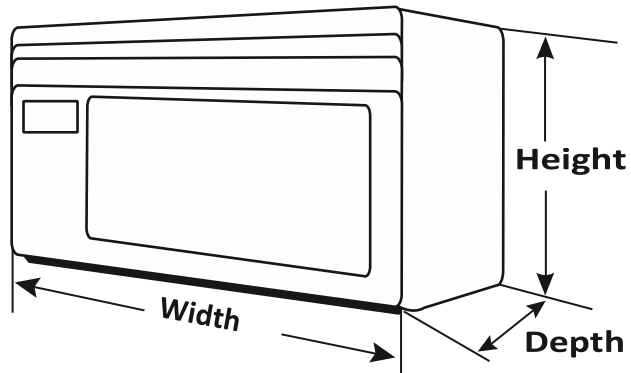
Width: From left edge of unit to right edge

Depth: From front of unit, not including knobs or handles when present, to back

- **Common error:** Including knobs/handles in measurement

Customer expectations for measurements:

- Fits into cabinet cut-outs



BRAND	MODEL	H	W	D

Measuring Your Appliances Correctly

MICROWAVES

Applies to: Microwaves

Does not apply to: Free standing ovens and ranges, cooktops, over-the-range microwaves and wall ovens

Height: Bottom of unit, including feet, to top of unit

- **Common error:** Not measuring feet

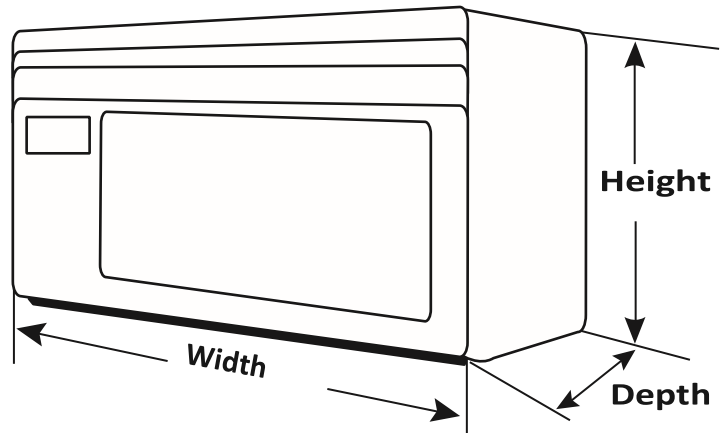
Width: From left edge of unit to right edge

Depth: From front of unit, not including knobs or handles when present, to back

- **Common error:** Including knobs/handles in measurement

Customer expectations for measurements:

- When placed on countertop, fits under overhead cabinet



BRAND	MODEL	H	W	D

Measuring Your Appliances Correctly

COMPACT REFRIGERATORS

Applies to: Small refrigerators

(from 2 to 6 cubic feet)

Does not apply to: Full-size refrigerators, wine storage or beer tap

Height: From floor to top of hinge

- **Common error:** Not measuring hinge, not including feet in measurement

Width: From left edge to right edge

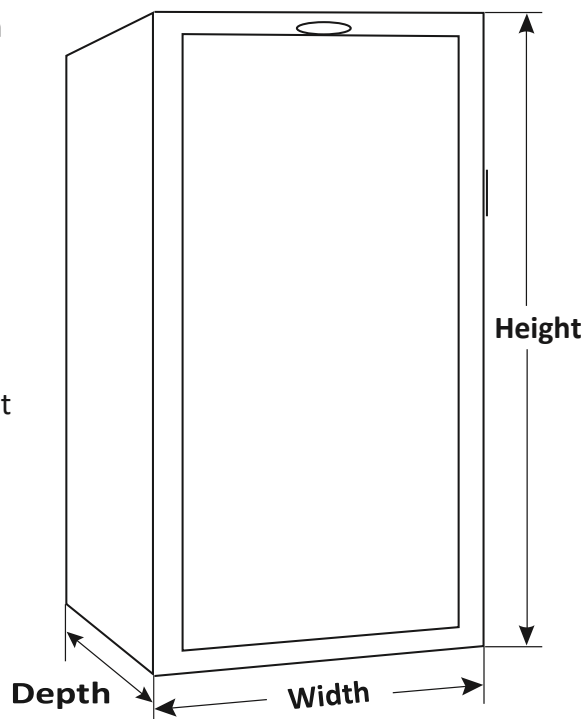
Depth: From front of unit to back (including door)

- **Common error:** Not measuring condenser coils (when present), including handle in measurement

Customer expectations: Unit will fit under counter or desk. Unit front, excluding handle, will align with counter front

Additional Online Measurements:

- Height to top of refrigerator
- Depth less door
- Depth with handle
- Depth with door 90 degrees open



BRAND	MODEL	H	W	D

Measuring Your Appliances Correctly

WINE STORAGE

Applies to: Wine chilling units
(from 2 to 6 cubic feet)

Does not apply to: Full-size refrigerators, compact refrigerators (dorm/bar refrigerators)

Height: From floor to top of hinge

- **Common error:** Not measuring hinge, not including feet in measurement

Width: From left edge to right edge

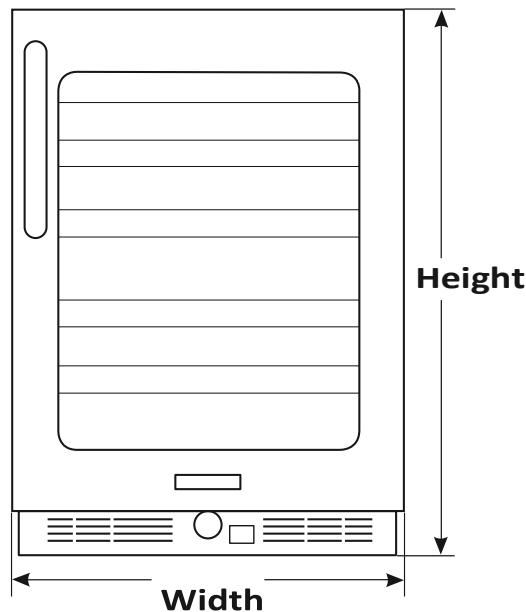
Depth: From front of unit to back (including door)

- **Common error:** Not measuring condenser coils (when present), including handle in measurement

Customer expectations: Unit will fit under counter or desk. Unit front, excluding handle, will align with counter front

Additional Online Measurements:

- Height to top of refrigerator
- Depth less door
- Depth with handle
- Depth with door
90 degrees open



BRAND	MODEL	H	W	D